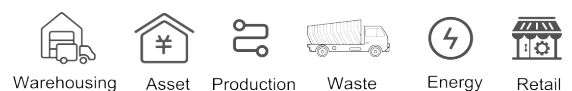




JT-8380



UHF RFID Middle Range Integrated Reader

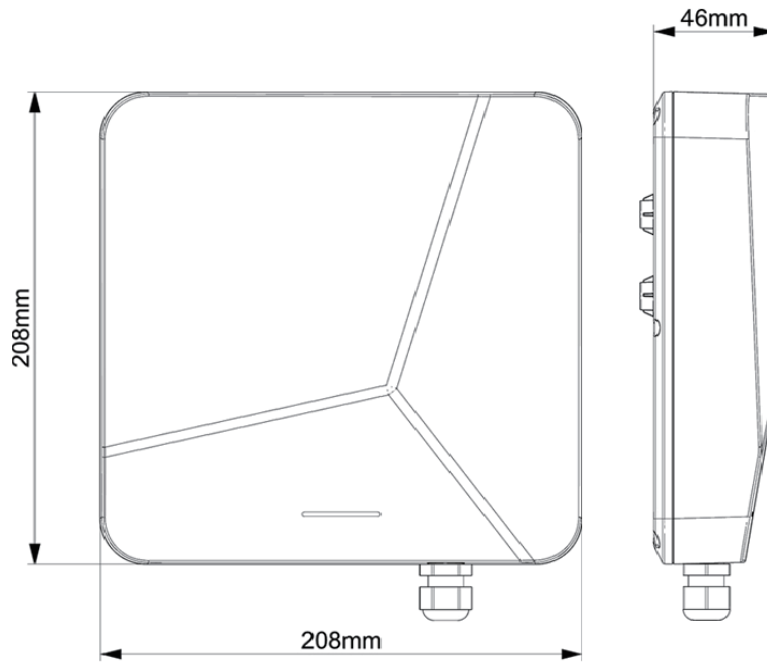
JT-8380 is a new generation of UHF reader developed by our company. RFID tags for reading and writing ISO 18000-6C (EPC C1 GEN2). The reader has the characteristics of superior performance, convenient use, wide application, safety, reliability, stability and practicality. Provide SDK suitable for specific applications, which is convenient for users to carry out secondary development. And it integrates network interface or 4 GPRS, with management software and database, it can be conveniently and quickly applied to warehousing logistics, vehicle management, industrial production line management, material management, identity identification, access control and other fields.

- Support serial online upgrade
- Support MQTT protocol

SPECIFICATIONS

RFID PARAMETER	
Frequency	902-928 MHz(US)
Protocol	ISO18000-6C/EPC C1 Gen2
Antenna	8dBi circularly polarized antenna (built-in)
RF power	0~30dBm±1dBm
Read range	0~5m (relate to tag and environment)
Work mode	Master-slave, timing,trigger mode
Baud rate	115200 bps (default)
I/O	1 trigger input or 2 relay outputs (customized)
Special	Warming function in extremely cold regions
Notification	LED indicator,buzzer
Power supply	DC 12-24V/3A
Peak current	500mA
Industrial lightning protection	6000V high voltage lightning protection
SDK	Demo&C++,C#,JAVA,Android SDK
USE ENVIRONMENT	
Operating Temp.	-40° C~+75° C
Storage Temp.	-40° C ~+85° C
Humidity	5-90% non-condensing (+25° C)
PHYSICAL PARAMETERS	
Shell material	ABS & aluminum alloy
Dimensions	208(L)*208(W)*46(H)mm
Net weight	660g
Pack size	42*26*10cm
Gross weight	1.65KG
MODEL TYPE	
JT-8380A	RS232,RS485,WG(26/32/34/66)
JT-8380B	RS232,TCP/IP,WG(26/32/34/66),(PoE optional)
JT-8380G	RS232,4 GPRS,WG(26/32/34/66)

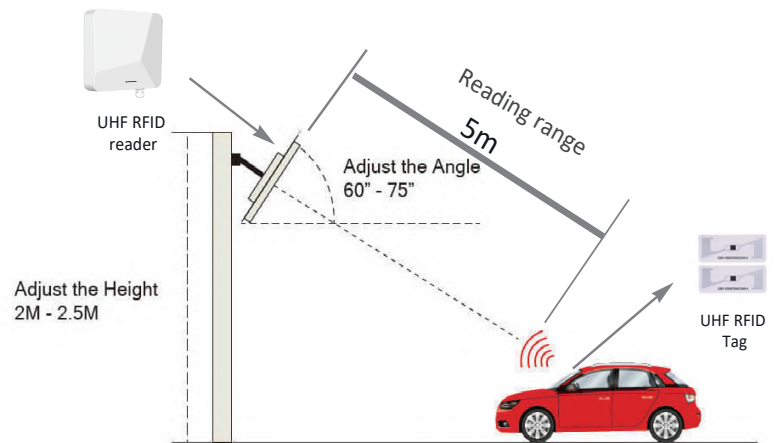
DIMENSIONS



APPLICATION



Waste Management



Vehicle Management

Shenzhen Jietong Technology Co.,Ltd

Address : 12/F,Building A, No. 6,Shiben Road,Shiyan Street,Bao'an District,Shenzhen,Guangdong,China-518108

Email : marketing@jtspeedwork.com

Website : www.jtspeedwork.com