



Date:2026/4/9



JT-7100



UHF RFID Industrial Grade Reader

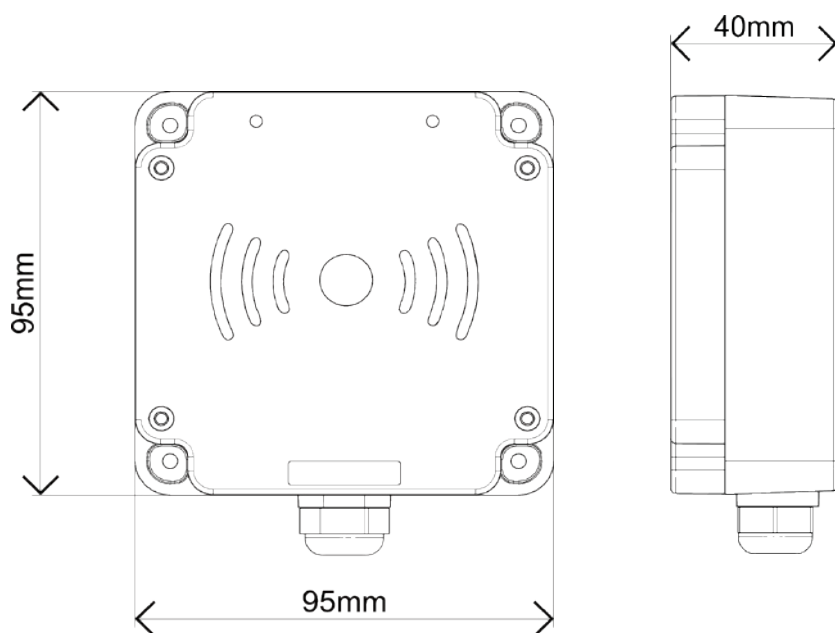
The appearance of JT-7100 adopts industrial design, which is durable and conforms to the harsh industrial production line environment, and the protection level reaches IP65. The radio frequency uses independent intellectual property rights to develop chips and is equipped with high-performance tag recognition algorithms. Support industrial MODBUS, CANBUS protocol. The software intelligently monitors the working status, 24 hoursx365 days without crashing. The bottom cover is designed to install iron sheets, which is convenient for the installation of readers in industrial production line environments. Small in size and light in weight, it is convenient for the integration of industrial production line equipment.

- Support serial online upgrade
- Support MQTT protocol

SPECIFICATIONS

RFID PARAMETERS	
Frequency	US:902-928 MHz EU:865-868 MHz
Protocol	ISO18000-6C/EPC C1 Gen2
Antenna	3dBi circularly polarized antenna (built-in)
RF power	13~33dBm(adjustable)
Reading rate	>700 times/sec
FM mode	FHSS or fixed frequency, set by the software
Power supply	DC 9~36V/1A;Industrial grade wide voltage
Read range	0~3m(related to tag and environment)
Industrial protocol support	ModbusTCP,ModbusRTU,CANBUS
Notification	LED indicator,buzzer
Protection grade	IP65 IP67(customize)
Industrial lightning protection	6000V high voltage lightning protection
SDK	Demo&C#,C++,JAVA,Android SDK
USE ENVIRONMENT	
Operating Temp.	-30° C ~+75° C
Storage Temp.	-40° C ~+85° C
Humidity	5-90% non-condensing (+25° C)
PHYSICAL PARAMETERS	
Shell material	ABS
Dimensions	95(L)*95 (W)*40(H)mm
Net weight	320g
Pack size	250*200*70mm
Gross weight	0.8kg
MODEL TYPE	
JT-7100A	RS232,RS485,TCP/IP
JT-7100B	RS485,TCP/IP(standard)
JT-M7100B	MODBUS TCP/IP
JT-M7100C	RS485 MODBUS RTU
JT-C7100	CAN BUS 2.0

DIMENSIONS



APPLICATION



Railway Management



Vehicle Management

Shenzhen Jietong Technology Co.,Ltd

Address : 12/F,Building A, No. 6,Shiben Road,Shiyan Street,Bao'an District,Shenzhen,Guangdong,China-518108

Email : marketing@jtspeedwork.com

Website : www.jtspeedwork.com